

Water Swivel Adopters

*Runs coolant through center of your drills

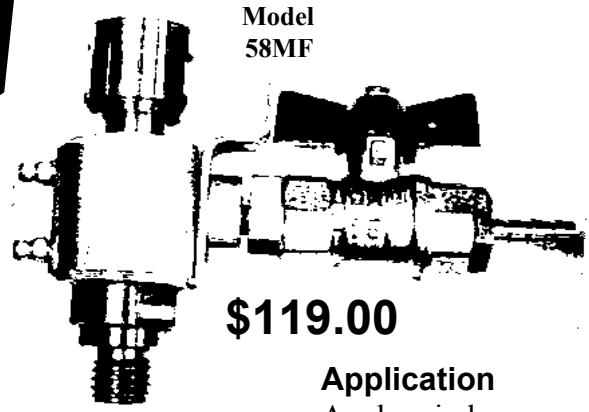
NEW

FEATURES

- Heavy Duty
- Stainless Steel
- 2 Bearings
- Adjustable Water Flow
- Precision Crafted
- Long Lasting

BENEFITS

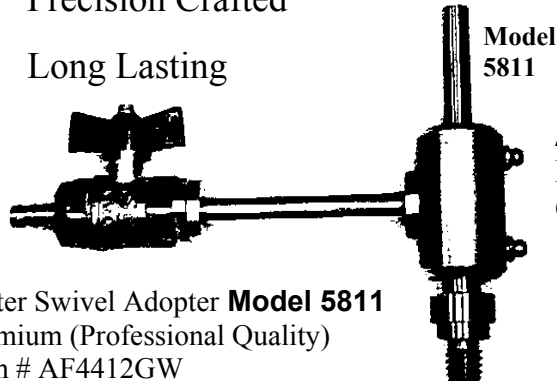
- Save Time
- Save Money
- Minimize Material Stress & Deformation
- Consistent Performance



Model 58MF

\$119.00

Application
Angle grinders
Hand held grinders



Model 5811

Application
Drill Press
CNC Machine

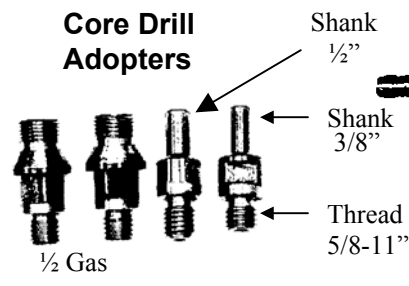


It's time you expect more from your tools

Water Swivel Adopter **Model 5811**
Premium (Professional Quality)
Item # AF4412GW
Thread: 5/8-11" male Shank: 1/2"

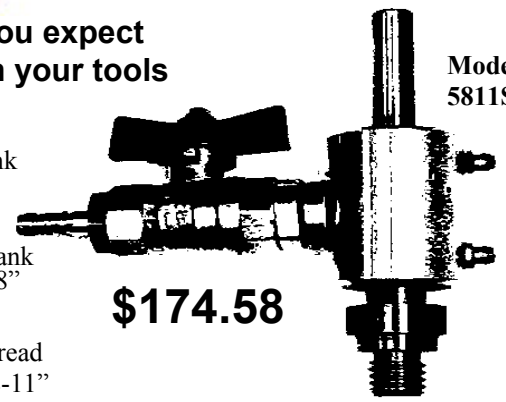
\$174.58

Looking for DIAMOND DRILLS?
In stock over 1,000 diamond drills in 40 different sizes. Ready to ship same day.



Core Drill Adopters

Shank Diameter	Price
1/2" Gas	\$29.83
3/8"	\$23.67
1/2"	\$23.67



Model 5811S

\$174.58

Application
Drill Press
Cordless Drills
Angle Grinders



Model 12GF

Application
Drill Press
CNC Machine

\$174.58

Belgium Mount

Water Swivel Adapter **Model 12GF**
Premium (Professional Quality)
Item # AF4412GW
Thread: 1/2 gas female Shank: 1/2"



Model 3416

Application
Drill Press
CNC Machine

\$174.58

Water Swivel Adapter **Model 3416**
Premium (Professional Quality)
Item # AF4412GW
Thread: 3/4-16" x Shank diameter: 1/2

TALK TO THE

LEADER